

CMS IntelliCAD®

Premium Edition (PE) & Premium Edition Plus (PE Plus) CAD Software

Affordable, Powerful & Compatible

CMS IntelliCAD® Compatible CAD Software is the intelligent and affordable full-featured choice for engineers, architects and consultants, or anyone who communicates using CAD drawings.

CMS IntelliCAD is designed to give you unrivaled compatibility with Autodesk® AutoCAD®, and is fully programmable with hundreds of third party solutions.

CMS IntelliCAD also offers a full suite of 2D and 3D AutoCAD compatible drawing tools. CMS IntelliCAD also provides a high degree of compatibility with the AutoCAD command set, as well as AutoLISP and ADS and built-in Microsoft VBA.

You can get to work immediately using your *.dwg files, commands and applications you rely on.

What's new on v10.1

CMS IntelliCAD® 10.1 CAD Software is a major release providing new features and improvements, now also provided as Perpetual Standalone and Network versions. Free 15 days trial available.

CMS IntelliCAD 10.1 is up to **seven times faster** when selecting entities and two times faster for grip editing, grip displaying, entity snapping, and drawing regenerating.

New features include **tables creation & editing**, **3Dconnexion input devices** support, **import .pdf files** with more advanced options, **import point data** from .csv and .txt files, **import Autodesk® Revit® 2021 files** as underlays on ALL CMS IntelliCAD 10.1 versions, and way more...

Key Points

Unrivaled Autodesk® AutoCAD® Compatibility

Native **.dwg file support, including version 2.5- 2018/20**

Add **Digital signatures^{NEW}** to .dwg files.

AutoCAD 3D surface commands.

Spatial® ACIS (.sat) 3D solids import and export*.

ACIS 3D solids modeling*.

Autodesk Development System (ADS) unicode support.

LISP support (including .DCL).

Support for AutoCAD command line.

Digitizer Support.

AutoCAD menu (.MNU) and script (.SCR) files.

Raster image display.

Exceptional Productivity & Customization

Photo-realistic 3-D rendering, Visual Styles & Materials.

Advanced photo-realistic rendering with Artisan render.

Ribbon tabs interface combined with Menus & Toolbars.

CUI support for Ribbon tabs interface customization.

ActiveX support including in-place editing.

Drawing Explorer™ for managing layers, blocks, line types, and more. Express tools, **Tool Palettes & Direct Input**.

BIM Support^{NEW} IFC & Revit® files import as underlay*

Attach point cloud .rcp/.rcs files.

AEC entities^{NEW} such as walls, windows, doors, etc.*

STEP & IGES^{NEW} file format import and export.*

.PDF file import and conversion to .dwg

Graphical block preview, Block direct edition.

Layer states, layer filters with search, quick select.

Work with **multiple open drawings** (MDI).

Faster Real Time Pan & Zoom.

Right-mouse click to edit properties of multiple selected

entities. **Sketch Modes^{NEW} & Selection Grips^{NEW}**.

Script recorder.

Microsoft® **Visual Basic® Applications (VBA7.1) & .Net 4.5**

DRX/IRX interface is available for developers to create custom entities.

Visual **customization of menus and toolbars**, .cui custom

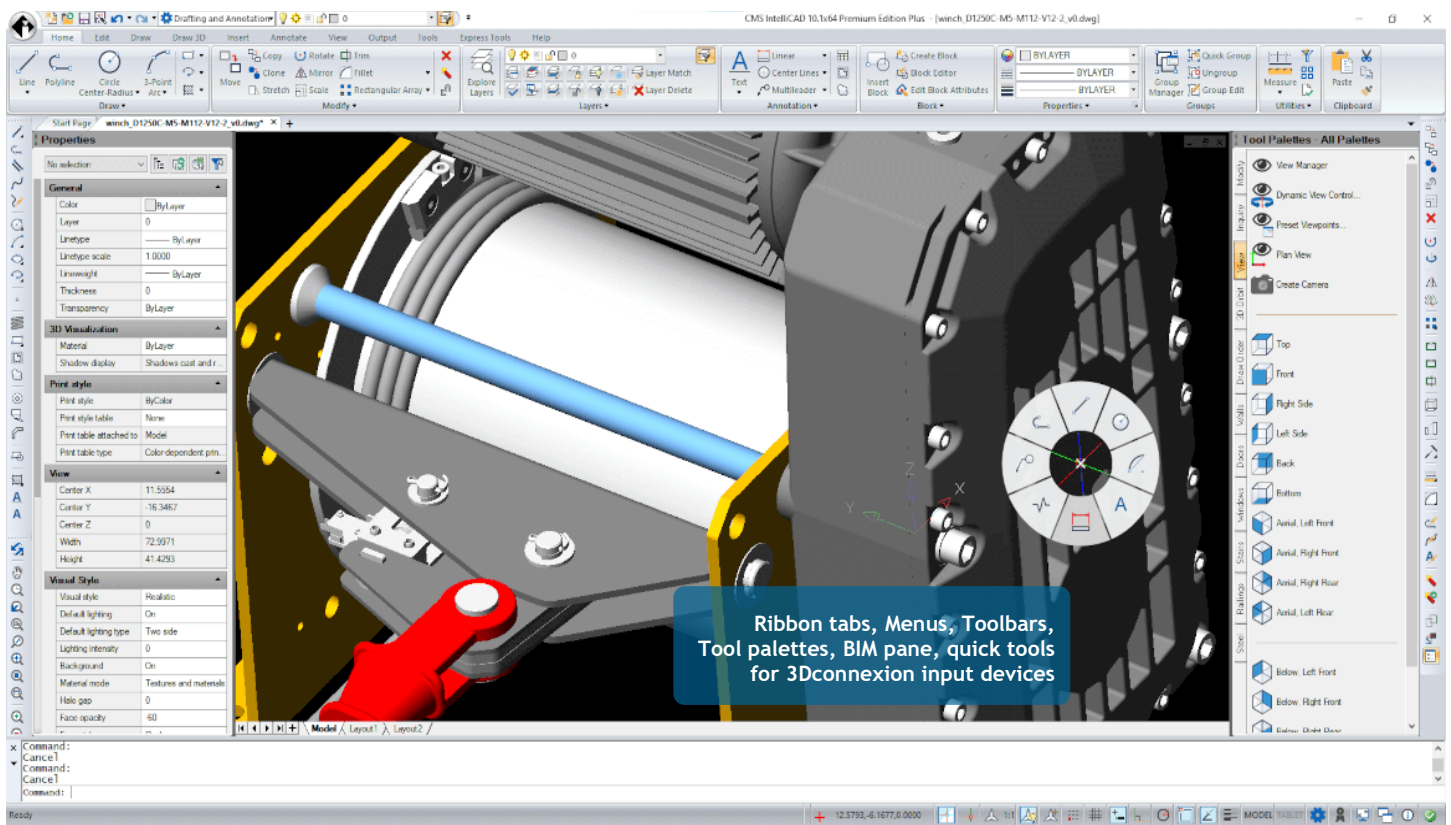
menu files. **System variables manager^{NEW}**.

Microsoft Office® Integration

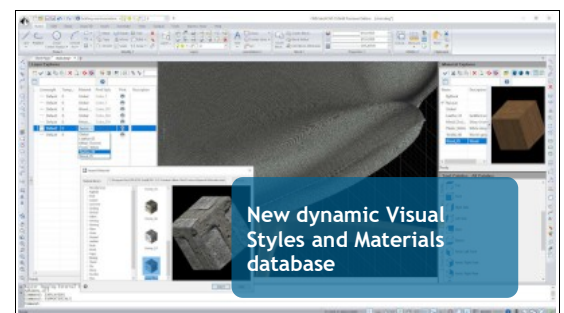
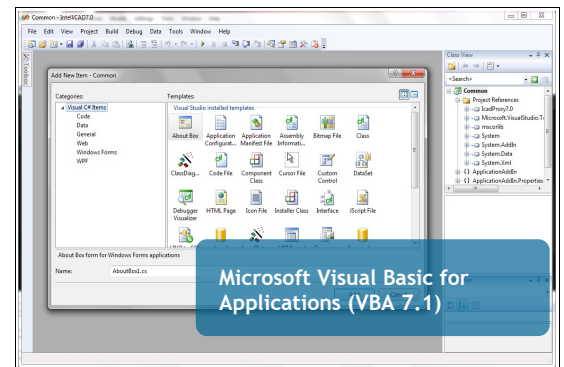
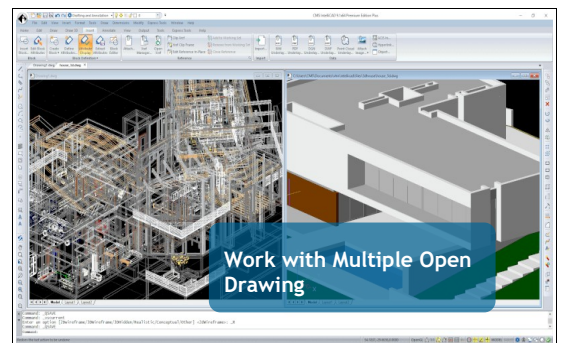
ActiveX integration: you can insert IntelliCAD drawings (or just parts of them) into a Microsoft Office or OpenOffice application file.

Supported on Microsoft **Windows®-64bit**.

(*) PE Plus only.



	PE	PE+
Native open drawing *.dwg file support from v2.5-up to	2018/20	2018/20
DXF, DWT, Autodesk DWF™, Adobe PDF, & Microstation *.DGN file support	•	•
.dwg Digital Signatures , Xref, direct Block edition & Selection Grips	•	•
Support for AutoCAD 3D surface commands	•	•
ACIS solids modeling and editing – Spatial Release 23		•
BIM support – IFC and RVT files import as underlays	RVT only	•
STEP & IGES Import and Export		•
LISP support (including DCL)	•	•
Microsoft Visual Basic for Applications (VBA 7.1) & .Net 4.5	•	•
DRX/IRX interface is available for developers to create custom entities	•	•
Photo-realistic 3D Rendering and lighting , New visual styles & Materials	•	•
Advanced photo-realistic 3D rendering with Artisan for IntelliCAD add-on	•	•
Drawing Explorer™ , layers, blocks, lines, truetype font & truecolor support	•	•
Graphical Block, line and text types Preview, multi-line in-place text editor	•	•
Express tools, Tool Palettes & Direct Input , Tables Creation & Editing	•	•
Microsoft ActiveX support	•	•
Customizing Ribbon tabs user interface combined with toolbars and menu	•	•
eTransmit support and extensive hatch patterns list including gradient options	•	•
Raster Image insertion and advanced control	•	•
Work with Multiple Open Drawing – Individual tabs for each file	•	•
Multi-core processing support (on available machine systems)	•	•
64-bit Supported OS architecture (Microsoft Windows® 7 / 8.x / 10)	64-bit	64-bit
Minimum System Requirements free RAM/HD Space for Full Installation	2GB / 2GB	



CAD-MANUFACTURING SOLUTIONS, INC.

PO Box 1261

Azle, TX 76098 | USA

Phone: +1 (501) 588-7970

Web: <http://www.intellicadms.com>

Email: software@etoolbox.com

©1993-2021. CAD-MANUFACTURING SOLUTIONS, INC.

IntelliCAD and the IntelliCAD logo are registered trademarks of the IntelliCAD Technology Consortium in the United States and other countries. DWG is the native file format for Autodesk® AutoCAD® software and is a trademark of Autodesk, Inc.

ASTER GDEM is a product of METI and NASA.

IntelliCAD Technology Consortium is not affiliated with Autodesk, Inc. All other trademarks are property of th respective owners.

ETOOBOX and QuoteCAD are registered trademarks of CAD-MANUFACTURING SOLUTIONS, INC.